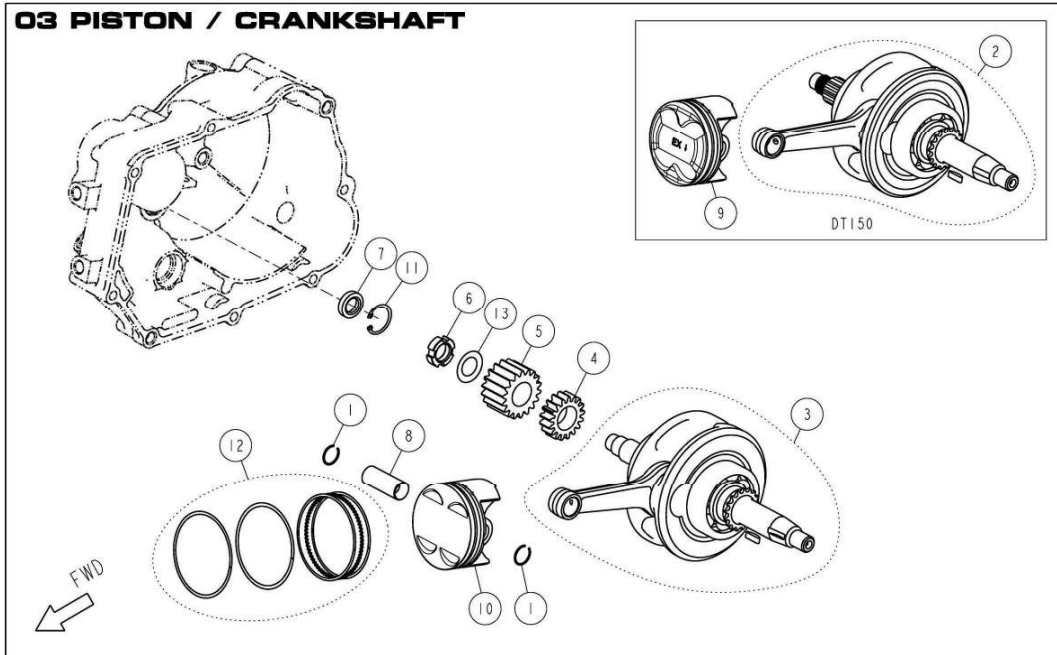


ANIMA 150FD ENGINE

Owner's Manual

PARTS CATALOGUE
 Engine No. ANIMA150F 2637000000-



Ref No.	Part No.	DESCRIPTION	QTY	REMARKS
1	86453	CLIP, PIN PISTON	2	
2	86381	CRANK SHAFT ASSY 150F	1	STROKE 49.6mm
4	86383	GEAR, OIL PUMP DRIVE	1	17T
5	86415	GEAR, PRIMARY DRIVE	1	18T
6	83768	NUT, SMALL M14	1	
7	86443	OIL SEAL, $\Phi 12 \times \Phi 20 \times 5t$	1	
8	86379	PIN, PISTON $\Phi 14$	1	
9	86378	PISTON for 150F	1	BORE $\Phi 62.0$
11	86462	RETAINING RING, RTWN22	1	
12	86380	RING SET, PISTON	1	
13	86411	WASHER, SPRING	1	